

ETA-Danmark A/S
Kollegievej 6
DK-2920 Charlottenlund
Tel. +45 72 24 59 00
Fax +45 72 24 59 04
Internet www.etadanmark.dk



Authorised and notified according to Article 10 of the Council Directive 89/106/EEC of 21 December 1988 on the approximation of laws, regulations and administrative provisions of Member States relating to construction products

MEMBER OF EOTA

European Technical Approval ETA-09/0133

Trade name:

Gutzeit Angle Brackets type 89521, 89525, 89530, 89532, 89533, 89560, 89561, 89562, 89571, 89572, 89573, 89574, 89575, 89576, 89577, 89578, 89579, 89580, 89581, 89582, 89583, 89584, 89585, 89586, 89587, 89588, 89589, 89600, 89601, 89602

Holder of approval:

Gutzeit Verbindungssysteme GmbH & Co.
Rudolf-Diesel-Strasse 1
D-58730 Fröndenberg, Industriegebiet
Tel. +49 2373 - 979261
Fax +49 2373 - 979266
Internet www.gutzeit-holzverbinder.de

Generic type and use of construction product:

Three-dimensional nailing plate (Angle Bracket for timber-to-timber or timber to steel or concrete connections)

Valid from:
to:

2009-06-03
2014-06-03

Manufacturing plant:

Gutzeit Verbindungssysteme GmbH & Co.
Rudolf-Diesel-Strasse 1
D-58730 Fröndenberg, Industriegebiet

This European Technical Approval contains:

24 pages including 2 annexes which form an integral part of the document



European Organisation for Technical Approvals

Europæisk Organisation for Tekniske Godkendelser

I LEGAL BASIS AND GENERAL CONDITIONS

1 This European Technical Approval is issued by ETA-Danmark A/S in accordance with:

- Council Directive 89/106/EEC of 21 December 1988 on the approximation of laws, regulations and administrative provisions of Member States relating to construction products¹⁾, as amended by Council Directive 93/68/EEC of 22 July 1993²⁾.
- Bekendtgørelse 559 af 27-06-1994 (afløser bekendtgørelse 480 af 25-06-1991) om ikrafttræden af EF direktiv af 21. december 1988 om indbyrdes tilnærmelse af medlemsstaternes love og administrative bestemmelser om byggevarer.
- Common Procedural Rules for Requesting, Preparing and the Granting of European Technical Approvals set out in the Annex to Commission Decision 94/23/EC³⁾.
- EOTA Guideline ETAG 015 *Three-dimensional nailing plates*, September 2002 edition.

2 ETA-Danmark A/S is authorized to check whether the provisions of this European Technical Approval are met. Checking may take place in the manufacturing plant. Nevertheless, the responsibility for the conformity of the products to the European Technical Approval and for their fitness for the intended use remains with the holder of the European Technical Approval.

3 This European Technical Approval is not to be transferred to manufacturers or agents of manufacturers other than those indicated on page 1, or manufacturing plants other than those indicated on page 1 of this European Technical Approval.

4 This European Technical Approval may be withdrawn by ETA-Danmark A/S pursuant to Article 5(1) of Council Directive 89/106/EEC.

- 1) Official Journal of the European Communities N° L40, 11 Feb 1989, p 12.
- 2) Official Journal of the European Communities N° L220, 30 Aug 1993, p 1.
- 3) Official Journal of the European Communities N° L 17, 20 Jan 1994, p 34.

5 Reproduction of this European Technical Approval including transmission by electronic means shall be in full. However, partial reproduction can be made with the written consent of ETA-Danmark A/S. In this case partial reproduction has to be designated as such. Texts and drawings of advertising brochures shall not contradict or misuse the European Technical Approval.

6 This European Technical Approval is issued by ETA-Danmark A/S in English. This version corresponds fully to the version circulated within EOTA. Translations into other languages have to be designated as such.

I SPECIAL CONDITIONS OF THE EUROPEAN TECHNICAL APPROVAL

1 Definition of product and intended use

Definition of the product

Gutzeit angle brackets are one-piece non-welded, face-fixed angle brackets to be used in timber to timber or in timber to concrete or to steel connections. They are connected to construction members made of timber or wood-based products with profiled (ringed shank) nails according to EN 14592 and to concrete or steel members with bolts or metal anchors.

The angle brackets are made from pre-galvanized steel DX 51 D / Z 275 according to EN 10327:2004 with $R_e \geq 295 \text{ N/mm}^2$, $R_m \leq 360 \text{ N/mm}^2$ and $A_{80} \geq 22\%$. Dimensions, hole positions and typical installations are shown in Annex A. Gutzeit angle brackets are made from steel with tolerances according to EN 10143.

Intended use

The angle brackets are intended for use in making connections in load bearing timber structures, as a connection between a beam and a purlin, where requirements for mechanical resistance and stability and safety in use in the sense of the Essential Requirements 1 and 4 of Council Directive 89/106/EEC shall be fulfilled.

The connection may be with a single angle bracket or with an angle bracket on each side of the fastened timber member (see Annex A).

The static and kinematical behaviour of the timber members or the supports shall be as described in Annex B.

The wood members may be of solid timber, glued laminated timber and similar glued members, or wood-based structural members with a characteristic density from 290 kg/m^3 to 420 kg/m^3 . This requirement to the material of the wood members can be fulfilled by using the following materials:

- Structural solid timber classified to C14-C40 according to EN 338 / EN 14081,
- Glulam classified to GL24-GL36 according to EN 1194 / EN 14080,
- LVL according to EN 14374,
- Parallam PSL,
- Intrallam LSL,
- Duo- and Triobalken,
- Layered wood plates,
- Plywood according to EN 636

Annex B states the load-carrying capacities of the angle bracket connections for a characteristic density of 350 kg/m^3 . For timber or wood based material with a lower characteristic density than 350 kg/m^3 the load-carrying capacities shall be

reduced by the k_{dens} factor:

$$k_{\text{dens}} = \left(\frac{\rho_k}{350} \right)^2$$

Where ρ_k is the characteristic density of the timber in kg/m^3 .

The design of the connections shall be in accordance with Eurocode 5 or a similar national Timber Code. The wood members shall have a thickness which is larger than the penetration depth of the nails into the members.

The angle brackets are primarily for use in timber structures subject to the dry, internal conditions defined by service classes 1 and 2 of Eurocode 5 and for connections subject to static or quasi-static loading.

The angle brackets can also be used in outdoor timber structures, service class 3, when a corrosion protection in accordance with Eurocode 5 is applied, or when stainless steel with similar or better characteristic yield and ultimate strength is employed.

Some of the angle brackets may also be used for connections between a timber member and a member of concrete or steel.

Assumed working life

The assumed intended working life of the angle brackets for the intended use is 50 years, provided that they are subject to appropriate use and maintenance.

The information on the working life should not be regarded as a guarantee provided by the manufacturer or ETA Danmark. An "assumed intended working life" means that it is expected that, when this working life has elapsed, the real working life may be, in normal use conditions, considerably longer without major degradation affecting the essential requirements.

2 Characteristics of product and assessment

ETAG paragraph	Characteristic	Assessment of characteristic
	2.1 Mechanical resistance and stability*)	
6.1.1	Characteristic load-carrying capacity	See Annex B
6.1.2	Stiffness	No performance determined
6.1.3	Ductility in cyclic testing	No performance determined
	2.2 Safety in case of fire	
6.2.1	Reaction to fire	The angle brackets are made from steel classified as Euroclass A1 in accordance with EN 1350-1 and EC decision 96/603/EC, amended by EC Decision 2000/605/EC
	2.3 Hygiene, health and the environment	
6.3.1	Influence on air quality	No dangerous materials **)
	2.4 Safety in use	Not relevant
	2.5 Protection against noise	Not relevant
	2.6 Energy economy and heat retention	Not relevant
	2.7 Related aspects of serviceability	
6.7.1	Durability	The angle brackets have been assessed as having satisfactory durability and serviceability when used in timber structures using the timber species described in Eurocode 5 and subject to the conditions defined by service class 1 and 2
6.7.2	Serviceability	
6.7.3	Identification	

*) See page 5 of this ETA

**) In accordance with <http://europa.eu.int/comm/enterprise/construction/internal/dangsub/dangmain.htm> In addition to the specific clauses relating to dangerous substances contained in this European Technical Approval, there may be other requirements applicable to the products falling within its scope (e.g. transposed European legislation and national laws, regulations and administrative provisions). In order to meet the provisions of the EU Construction Products Directive, these requirements need also to be complied with, when and where they apply.

Safety principles and partial factors

The characteristic load-carrying capacities are based on the characteristic values of the nail connections and the steel plates. To obtain design values the capacities have to be divided by different partial factors for the material properties, the nail connection in addition multiplied with the coefficient k_{mod} .

According to EN 1990 (Eurocode – Basis of design) paragraph 6.3.5 the design value of load-carrying capacity may be determined by reducing the characteristic values of the load-carrying capacity with different partial factors.

Thus, the characteristic values of the load-carrying capacity are determined also for timber failure $F_{\text{Rk,H}}$ (obtaining the embedment strength of nails subjected to shear or the withdrawal capacity of the most loaded nail, respectively) as well as for steel plate failure $F_{\text{Rk,S}}$. The design value of the load-carrying capacity is the smaller value of both load-carrying capacities.

$$F_{\text{Rd}} = \min \left\{ \frac{k_{\text{mod}} \cdot F_{\text{Rk,H}}}{\gamma_{\text{M,H}}}, \frac{F_{\text{Rk,S}}}{\gamma_{\text{M,S}}} \right\}$$

Therefore, for timber failure the load duration class and the service class are included. The different partial factors γ_{M} for steel or timber, respectively, are also correctly taken into account.

2.1 Mechanical resistance and stability

See annex B for the characteristic load-carrying capacity in the different directions F_1 to F_5 .

The characteristic capacities of the angle brackets are determined by calculation assisted by testing as described in the EOTA Guideline 015 clause 5.1.2. They should be used for designs in accordance with Eurocode 5 or a similar national Timber Code.

Threaded nails (ringed shank nails) in accordance to EN 14592

In the formulas in Annex B the capacities for threaded nails calculated from the formulas of Eurocode 5 are used assuming a thick steel plate when calculating the lateral nail load-carrying-capacity.

The load bearing capacities of the brackets has been determined based on the use of connector nails 4,0 x 40 mm in accordance with the German national approval for the nails.

The characteristic withdrawal capacity of the nails has to be determined by calculation in accordance with EN 1995-1-1: 2004, paragraph 8.3.2 (head pull-through is not relevant):

$$F_{\text{ax,Rk}} = f_{\text{ax,k}} \times d \times t_{\text{pen}}$$

Where:

$f_{\text{ax,k}}$	Characteristic value of the withdrawal parameter in N/mm^2
d	Nail diameter in mm
t_{pen}	Penetration depth of the profiled shank including the nail point in mm, $t_{\text{pen}} \geq 31$ mm

Based on tests by Versuchsanstalt für Stahl, Holz und Steine, University of Karlsruhe, the characteristic value of the withdrawal resistance for the threaded nails used can be calculated as:

$$f_{\text{ax,k}} = 50 \times 10^{-6} \times \sigma_{\text{k}}^2$$

Where:

σ_{k}	Characteristic density of the timber in kg/m^3
---------------------	--

The shape of the nail directly under the head shall be in the form of a truncated cone with a diameter under the nail head which exceeds the hole diameter.

The design models allow the use of fasteners described in the table on page 12 in Annex A

No performance has been determined in relation to ductility of a joint under cyclic testing. The contribution to the performance of structures in seismic zones, therefore, has not been assessed.

No performance has been determined in relation to the joint's stiffness properties - to be used for the analysis of the serviceability limit state.

2.7 Related aspects of serviceability

2.7.1 Corrosion protection in service class 1 and 2.

In accordance with ETAG 015 the angle brackets are made from pre-galvanized steel DX 51 D / Z 275 according to EN 10327:2004 with $R_e \geq 295 \text{ N}/\text{mm}^2$, $R_m \leq 360 \text{ N}/\text{mm}^2$ and $A_{80} \geq 22\%$

3 Attestation of Conformity and CE marking

3.1 Attestation of Conformity system

The system of attestation of conformity is 2+ described in Council Directive 89/106/EEC (Construction Products Directive) Annex III.

- a) Tasks for the manufacturer:
 - (1) Factory production control,
 - (2) Initial type testing of the product,
- b) Tasks for the notified body:
 - (1) Initial inspection of the factory and the factory production control,
 - (2) Continuous surveillance

3.2 Responsibilities

3.2.1 Tasks of the manufacturer

3.2.1.1 Factory production control

The manufacturer has a factory production control system in the plant and exercises permanent internal control of production. All the elements, requirements and provisions adopted by the manufacturer are documented in a systematic manner in the form of written policies and procedures. This production control system ensures that the product is in conformity with the European Technical Approval.

The manufacturer shall only use raw materials supplied with the relevant inspection documents as laid down in the control plan⁴. The incoming raw materials shall be subject to controls and tests by the manufacturer before acceptance. Check of materials, such as sheet metal, shall include control of the inspection documents presented by suppliers (comparison with nominal values) by verifying dimension and determining material properties, e.g. chemical composition, mechanical properties and zinc coating thickness.

The manufactured components are checked visually and for dimensions.

The control plan, which is part of the technical documentation of this European Technical Approval,

⁴ The control plan has been deposited at ETA-Danmark and is only made available to the approved bodies involved in the conformity attestation procedure.

includes details of the extent, nature and frequency of testing and controls to be performed within the factory production control and has been agreed between the approval holder and ETA Danmark.

The results of factory production control are recorded and evaluated. The records include at least the following information:

- Designation of the product, basic material and components;
- Type of control or testing;
- Date of manufacture of the product and date of testing of the product or basic material and components;
- Result of control and testing and, if appropriate, comparison with requirements;
- Signature of person responsible for factory production control.

The records shall be presented to ETA Danmark on request.

3.2.1.1 Initial type testing of the product

For initial type-testing the results of the tests performed as part of the assessment for the European Technical Approval shall be used unless there are changes in the production line or plant. In such cases the necessary initial type testing has to be agreed between ETA Danmark and the notified body.

3.2.2. Tasks of notified bodies

3.2.2.1 Initial inspection of the factory and the factory production control

The approved body should ascertain that, in accordance with the control plan, the factory, in particular the staff and equipment, and the factory production control, are suitable to ensure a continuous and orderly manufacturing of the angle brackets with the specifications given in part 2.

3.2.2.2 Continuous surveillance

The approved body shall visit the factory at least twice a year for routine inspections. It shall be verified that the system of factory production control and the specified manufacturing processes are maintained, taking account of the control plan.

The results of product certification and continuous surveillance shall be made available on demand by the certification body to ETA Danmark. Where the provisions of the European Technical Approval and the control plan are no longer fulfilled, the certificate

of conformity shall be withdrawn by the approved body.

3.3 CE marking

The CE marking shall be affixed on each packaging of angle brackets. The initials "CE" shall be followed by the identification number of the notified body and shall be accompanied by the following information:

- Name or identifying mark of the manufacturer
- The last two digits of the year in which the marking was affixed
- Number of the European Technical Approval
- Name and size of product
- Number of the ETA Guideline (ETAG no. 015)
- Number of the EC Certificate of Conformity

4 Assumptions under which the fitness of the product for the intended use was favourably assessed

4.1 Manufacturing

Gutzeit angle brackets are manufactured in accordance with the provisions of this European Technical Approval using the manufacturing processes as identified in the inspection of the plant by the notified inspection body and laid down in the technical documentation

4.2 Installation

The nailing pattern used shall be either the maximum or the minimum pattern as defined in Annex A.

The following provisions concerning installation apply:

The structural members – the components 1 and 2 shown in the figure on page 32 - to which the brackets are fixed shall be:

- Restrained against rotation. At a load F_4/F_5 , the component 2 is allowed to be restrained against rotation by the Angle brackets.
- Strength class C14 or better, see section 1 of this ETA
- Free from wane under the bracket.
- The actual end bearing capacity of the timber member to be used in conjunction with the bracket is checked by the designer of the structure to ensure it is not less than the bracket capacity and, if necessary, the bracket capacity reduced accordingly.
- The gap between the timber members does not exceed 3 mm.
- There are no specific requirements relating to preparation of the timber members.

The execution of the connection shall be in accordance with the approval holder's technical literature.

4.3 Maintenance and repair

Maintenance is not required during the assumed intended working life. Should repair prove necessary, it is normal to replace the angle bracket.



Thomas Bruun
Manager, ETA-Danmark

Annex A
Product details definitions

Table A.1 Materials specification

Bracket number	Bracket type	Thickness (mm)	Steel specification	Coating specification
89 521	50x50x35	2,5	DX 51 D	Z 275
89 525	90x90x40	3,0	DX 51 D	Z 275
89 530	160x40x40	3,0	DX 51 D	Z 275
89 532	120x35x40	3,0	DX 51 D	Z 275
89 533	90x35x40	2,5	DX 51 D	Z 275
89 560	90x48x48	3,0	DX 51 D	Z 275
89 561	90x48x76	3,0	DX 51 D	Z 275
89 562	90x48x116	3,0	DX 51 D	Z 275
89 571	40x40x40	2,0	DX 51 D	Z 275
89 572	50x50x45	2,0	DX 51 D	Z 275
89 573	60x60x40	2,0	DX 51 D	Z 275
89 574	60x60x50	2,5	DX 51 D	Z 275
89 575	60x60x60	2,0	DX 51 D	Z 275
89 576	40x40x60	2,5	DX 51 D	Z 275
89 577	60x60x80	2,5	DX 51 D	Z 275
89 578	60x60x100	2,5	DX 51 D	Z 275
89 579	80x80x60	2,5	DX 51 D	Z 275
89 580	80x80x80	2,5	DX 51 D	Z 275
89 581	80x80x100	2,5	DX 51 D	Z 275
89 582	100x100x60	2,5	DX 51 D	Z 275
89 583	100x100x80	2,5	DX 51 D	Z 275
89 584	100x100x100	2,5	DX 51 D	Z 275
89 585	40x40x100	2,0	DX 51 D	Z 275
89 586	40x40x140	2,0	DX 51 D	Z 275
89 587	40x40x200	2,0	DX 51 D	Z 275
89 588	60x60x40	2,5	DX 51 D	Z 275
89 589	60x60x60	2,5	DX 51 D	Z 275
89 600	60x40x60	2,5	DX 51 D	Z 275
89 601	80x60x60	2,5	DX 51 D	Z 275
89 602	100x60x60	2,5	DX 51 D	Z 275

Table A.2 Range of sizes

Bracket number	Bracket type	Height (mm)		Height (mm)		Width (mm)	
		vertical		horizontal			
89 521	50x50x35	49	51	49	51	34	36
89 525	90x90x40	89	91	89	91	39	41
89 530	160x40x40	159	161	39	41	39	42
89 532	120x35x40	119	121	34	36	39	41
89 533	90x35x40	89	91	34	36	39	41
89 560	90x48x48	89	91	47	49	47	49
89 561	90x48x76	89	91	47	49	75	77
89 562	90x48x116	89	91	47	49	115	117
89 571	40x40x40	39	41	39	41	39	41
89 572	50x50x45	49	51	49	51	44	46
89 573	60x60x40	59	61	59	61	39	41
89 574	60x60x50	59	61	59	61	49	51
89 575	60x60x60	59	61	59	61	59	61
89 576	40x40x60	39	41	39	41	59	61
89 577	60x60x80	59	61	59	61	79	81
89 578	60x60x100	59	61	59	61	99	101
89 579	80x80x60	79	81	79	81	59	61
89 580	80x80x80	79	81	79	81	79	81
89 581	80x80x100	79	81	79	81	99	101
89 582	100x100x60	99	101	99	101	59	61
89 583	100x100x80	99	101	99	101	79	81
89 584	100x100x100	99	101	99	101	99	101
89 585	40x40x100	39	41	39	41	99	101
89 586	40x40x140	39	41	39	41	139	141
89 587	40x40x200	39	41	39	41	199	201
89 588	60x60x40	59	61	59	61	39	41
89 589	60x60x60	59	61	59	61	59	61
89 600	60x40x60	59	61	39	41	59	61
89 601	80x60x60	79	81	59	61	59	61
89 602	100x60x60	99	101	59	61	59	61

Table A.3 Fastener specification

Nail type	Nail size (mm)		Finish
	Diameter	Length	
According to EN 14592			
Threaded nail	4,0	40	Electroplated zinc

In the load-carrying-capacities of the nailed connection in Annex B the capacities for threaded nails calculated from the formulas of Eurocode 5 are used assuming a thick steel plate when calculating the lateral nail load-carrying-capacity.
The load-carrying-capacities of the angle brackets have been determined based on the use of connector nails 4,0 x 40 mm in accordance with the German national approval for the nails.
The characteristic withdrawal capacity of the nails has to be determined by calculation in accordance with EN 1995-1-1:2004, paragraph 8.3.2 (head pull-through is not relevant):

$$F_{ax,Rk} = f_{ax,k} \times d \times t_{pen}$$

Where:

$f_{ax,k}$ Characteristic value of the withdrawal parameter in N/mm²
d Nail diameter in mm
 t_{pen} Penetration depth of the profiled shank including the nail point in mm, $t_{pen} \geq 31$ mm

Based on tests by Versuchsanstalt für Stahl, Holz und Steine, University of Karlsruhe, the characteristic value of the withdrawal resistance for the threaded nails used can be calculated as:

$$f_{ax,k} = 50 \times 10^{-6} \times \rho_k^2$$

Where:

ρ_k Characteristic density of the timber in kg/m³

The shape of the nail directly under the head shall be in the form of a truncated cone with a diameter under the nail head which exceeds the hole diameter.

BOLTS diameter	Correspondence Hole diameter	Bolts type
12.0	Max. 2 mm. larger than the bolt diameter	See specification of the manufacturer

METAL ANCHORS diameter	Correspondence Hole diameter	Anchors type
12.0	Max. 2 mm. larger than the anchor diameter	See specification of the manufacturer

The load-carrying-capacities of the angle bracket 89532 have been determined based on the use of metal anchors with a diameter of 12 mm according to an ETA and with a minimum load-carrying capacity in tension and shear of 5 kN.

Annex B
Characteristic load-carrying capacities

Table B.1: Force F_1 Column, 2 angle brackets / connection

Bracket number	Bracket type	Nail number n_v	Nail number n_H	$F_{1,Rk}$ [kN] (column)	
				Timber	Steel
89 525	90x90x40	1,2	11,12,14,15,19,20	2,38	2,15
89 530	160x40x40	1,2,3,4,6,7	15,16,18,19	1,95	3,19
89 532	120x35x40	1,2,3,4,5,6	Bolt/Metal anchor	3,33	1,79
89 533	90x35x40	1,2,3	8,9,11,12	1,92	2,51
89 560	90x48x48	1,2,4	10,11,13,14	2,01	3,48
89 561	90x48x76	1,2,3,6	16,17,20,21	2,01	6,04
89 562	90x48x116	1,2,3,4,5,8,9	22,23,24,25,29,30,31	4,03	8,79
89 579	80x80x60	31,32,33	fully nailed	3,95	4,15
89 580	80x80x80	31,32,33,34	fully nailed	5,27	5,53
89 581	80x80x100	31,32,33,34,35	fully nailed	6,58	6,91
89 582	100x100x60	31,32,33,41,42,43	fully nailed	4,08	4,15
89 583	100x100x80	31,32,33,34,41,42,43,44	fully nailed	5,44	5,53
89 584	100x100x100	31,32,33,34,35,41,42,43,44,45	fully nailed	6,80	6,91
89 601	80x60x60	31,32,33	fully nailed	3,73	4,15
89 602	100x60x60	31,32,33,41,42,43	fully nailed	3,73	4,15

Table B.2: Force F_1 Column, 1 angle bracket / connection

Bracket number	Bracket type	Nail number n_V	Nail number n_H	$F_{1,Rk}$ [kN] (column)	
				Timber	Steel
89 525	90x90x40	1,2	11,12,14,15,19,20	1,19	1,08
89 530	160x40x40	1,2,3,4,6,7	15,16,18,19	0,98	1,59
89 532	120x35x40	1,2,3,4,5,6	bolt	1,67	0,90
89 533	90x35x40	1,2,3	8,9,11,12	0,96	1,26
89 560	90x48x48	1,2,4	10,11,13,14	1,01	1,74
89 561	90x48x76	1,2,3,6	16,17,20,21	1,01	3,02
89 562	90x48x116	1,2,3,4,5,8,9	22,23,24,25,29,30,31	2,01	4,39
89 579	80x80x60	31,32,33	fully nailed	1,97	2,07
89 580	80x80x80	31,32,33,34	fully nailed	2,63	2,77
89 581	80x80x100	31,32,33,34,35	fully nailed	3,29	3,46
89 582	100x100x60	31,32,33,41,42,43	fully nailed	2,04	2,07
89 583	100x100x80	31,32,33,34,41,42,43,44	fully nailed	2,72	2,77
89 584	100x100x100	31,32,33,34,35,41,42,43,44,45	fully nailed	3,40	3,46
89 601	80x60x60	31,32,33	fully nailed	1,86	2,07
89 602	100x60x60	31,32,33,41,42,43	fully nailed	1,86	2,07

Table B.3: Force F_1 Purlin, 2 angle brackets / connection

Bracket number	Bracket type	Nail number n_V	Nail number n_H	$F_{1,Rk}$ [kN] (purlin)	
				Timber	Steel
89 521	50x50x35	1,2	6,7,9,10	2,19	1,84
89 525	90x90x40	1,2,4,5,6,7	11,12,14,15,19,20	2,38	2,15
89 530	160x40x40	1,2,3,4,6,7,8,9,10,11	15,16,18,19	1,95	3,19
89 532	120x35x40	1,2,3,4,5,6,7,8,9	bolt	3,33	1,79
89 533	90x35x40	1,2,3,5,6	8,9,11,12	1,92	2,51
89 560	90x48x48	1,2,4,5,6,7	10,11,13,14	2,01	3,48
89 561	90x48x76	1,2,3,6,7,8,9,10,11,12	16,17,20,21	2,01	6,04
89 562	90x48x116	1,2,3,4,5,8,9,10,11, 12,13,15,16,17,18	22,23,24,25,29,30,31	4,03	8,79
89 571	40x40x40	11,12	fully nailed	2,17	1,77
89 572	50x50x45	11,12	fully nailed	2,36	1,77
89 573	60x60x40	11,12,21,22	fully nailed	2,49	1,77
89 574	60x60x50	11,12,13,21,22	fully nailed	3,73	3,23
89 575	60x60x60	11,12,13,21,22,23	fully nailed	3,73	2,66
89 576	40x40x60	11,12,13	fully nailed	3,26	4,15
89 577	60x60x80	11,12,13,14,21,22,23,24	fully nailed	4,97	5,53
89 578	60x60x100	11,12,13,14,15,21,22,23,24,25	fully nailed	6,21	6,91
89 579	80x80x60	11,12,13,21,22,23,31,32,33	fully nailed	3,95	4,15
89 580	80x80x80	11,12,13,14,21,22,23,24,31,32, 33,34	fully nailed	5,27	5,53
89 581	80x80x100	11,12,13,14,15,21,22,23,24,25,3 1,32,33,34,35	fully nailed	6,58	6,91
89 582	100x100x60	11,12,13,21,22,23,31,32,33,41, 42,43	fully nailed	4,08	4,15
89 583	100x100x80	11,12,13,14,21,22,23,24,31,32, 33,34,41,42,43,44	fully nailed	5,44	5,53
89 584	100x100x100	11,12,13,14,15,21,22,23,24,25, 31,32,33,34,35,41,42,43,44,45	fully nailed	6,80	6,91
89 585	40x40x100	11,12,13,14,15	fully nailed	5,43	4,43
89 586	40x40x140	11,12,13,14,15,16,17	fully nailed	7,60	6,20
89 587	40x40x200	11,12,13,14,15,16,17,18,19,20	fully nailed	10,85	8,85
89 588	60x60x40	11,12,21,22	fully nailed	2,49	2,77
89 589	60x60x60	11,12,13,21,22,23	fully nailed	3,73	4,15
89 600	60x40x60	11,12,13,21,22,23	fully nailed	3,26	4,15
89 601	80x60x60	11,12,13,21,22,23,31,32,33	fully nailed	3,73	4,15
89 602	100x60x60	11,12,13,21,22,23,31,32,33,41, 42,43	fully nailed	3,73	4,15

Table B.4: Force F_1 Purlin, 1 angle bracket / connection

Bracket number	Bracket type	Nail number n_V	Nail number n_H	$F_{1,Rk}$ [kN] (purlin)	
				Timber	Steel
89 521	50x50x35	1,2	6,7,9,10	1,10	0,92
89 525	90x90x40	1,2,4,5,6,7	11,12,14,15,19,20	1,19	1,08
89 530	160x40x40	1,2,3,4,6,7,8,9,10,11	15,16,18,19	0,98	1,59
89 532	120x35x40	1,2,3,4,5,6,7,8,9	bolt	1,67	0,90
89 533	90x35x40	1,2,3,5,6	8,9,11,12	0,96	1,26
89 560	90x48x48	1,2,4,5,6,7	10,11,13,14	1,01	1,74
89 561	90x48x76	1,2,3,6,7,8,9,10,11,12	16,17,20,21	1,01	3,02
89 562	90x48x116	1,2,3,4,5,8,9,10,11,12,13,15,16,17,18	22,23,24,25,29,30,31	2,01	4,39
89 571	40x40x40	11,12	fully nailed	1,09	0,89
89 572	50x50x45	11,12	fully nailed	1,18	0,89
89 573	60x60x40	11,12,21,22	fully nailed	1,24	0,89
89 574	60x60x50	11,12,13,21,22	fully nailed	1,86	1,61
89 575	60x60x60	11,12,13,21,22,23	fully nailed	1,86	1,33
89 576	40x40x60	11,12,13	fully nailed	1,63	2,07
89 577	60x60x80	11,12,13,14,21,22,23,24	fully nailed	2,49	2,77
89 578	60x60x100	11,12,13,14,15,21,22,23,24,25	fully nailed	3,11	3,46
89 579	80x80x60	11,12,13,21,22,23,31,32,33	fully nailed	1,97	2,07
89 580	80x80x80	11,12,13,14,21,22,23,24,31,32,33,34	fully nailed	2,63	2,77
89 581	80x80x100	11,12,13,14,15,21,22,23,24,25,31,32,33,34,35	fully nailed	3,29	3,46
89 582	100x100x60	11,12,13,21,22,23,31,32,33,41,42,43	fully nailed	2,04	2,07
89 583	100x100x80	11,12,13,14,21,22,23,24,31,32,33,34,41,42,43,44	fully nailed	2,72	2,77
89 584	100x100x100	11,12,13,14,15,21,22,23,24,25,31,32,33,34,35,41,42,43,44,45	fully nailed	3,40	3,46
89 585	40x40x100	11,12,13,14,15	fully nailed	2,71	2,21
89 586	40x40x140	11,12,13,14,15,16,17	fully nailed	3,80	3,10
89 587	40x40x200	11,12,13,14,15,16,17,18,19,20	fully nailed	5,43	4,43
89 588	60x60x40	11,12,21,22	fully nailed	1,24	1,38
89 589	60x60x60	11,12,13,21,22,23	fully nailed	1,86	2,07
89 600	60x40x60	11,12,13,21,22,23	fully nailed	1,63	2,07
89 601	80x60x60	11,12,13,21,22,23,31,32,33	fully nailed	1,86	2,07
89 602	100x60x60	11,12,13,21,22,23,31,32,33,41,42,43	fully nailed	1,86	2,07

Table B.5: Forces $F_{2,3}$, 2 angle brackets / connection

Bracket number	Bracket type	Nail number n_V	Nail number n_H	$F_{2,3,Rk}$ [kN]
				Timber
89 521	50x50x35	1,2	6,7,9,10	2,63
89 525	90x90x40	1,2,4,5,6,7	11,12,14,15,19,20	4,73
89 530	160x40x40	1,2,3,4,6,7,8,9,10,11	15,16,18,19	5,76
89 533	90x35x40	1,2,3,5,6	8,9,11,12	4,33
89 560	90x48x48	1,2,4,5,6,7	10,11,13,14	5,23
89 561	90x48x76	1,2,3,6,7,8,9,10,11,12	16,17,20,21	6,73
89 562	90x48x116	1,2,3,4,5,8,9,10,11,12,13,15,16,17,18	22,23,24,25,29,30,31	13,6
89 571	40x40x40	11,12	fully nailed	3,25
89 572	50x50x45	11,12	fully nailed	3,25
89 573	60x60x40	11,12,21,22	fully nailed	4,40
89 574	60x60x50	11,12,13,21,22	fully nailed	6,71
89 575	60x60x60	11,12,13,21,22,23	fully nailed	8,08
89 576	40x40x60	11,12,13	fully nailed	6,09
89 577	60x60x80	11,12,13,14,21,22,23,24	fully nailed	12,6
89 578	60x60x100	11,12,13,14,15,21,22,23,24,25	fully nailed	18,1
89 579	80x80x60	11,12,13,21,22,23,31,32,33	fully nailed	10,1
89 580	80x80x80	11,12,13,14,21,22,23,24,31,32,33,34	fully nailed	15,5
89 581	80x80x100	11,12,13,14,15,21,22,23,24,25,31,32,33,34,35	fully nailed	21,9
89 582	100x100x60	11,12,13,21,22,23,31,32,33,41,42,43	fully nailed	12,2
89 583	100x100x80	11,12,13,14,21,22,23,24,31,32,33,34,41,42,43,44	fully nailed	18,5
89 584	100x100x100	11,12,13,14,15,21,22,23,24,25,31,32,33,34,35,41,42,43,44,45	fully nailed	30,4
89 585	40x40x100	11,12,13,14,15	fully nailed	20,8
89 586	40x40x140	11,12,13,14,15,16,17	fully nailed	21,1
89 587	40x40x200	11,12,13,14,15,16,17,18,19,20	fully nailed	32,3
89 588	60x60x40	11,12,21,22	fully nailed	4,37
89 589	60x60x60	11,12,13,21,22,23	fully nailed	8,03
89 600	60x40x60	11,12,13,21,22,23	fully nailed	7,33
89 601	80x60x60	11,12,13,21,22,23,31,32,33	fully nailed	9,23
89 602	100x60x60	11,12,13,21,22,23,31,32,33,41,42,43	fully nailed	10,8

Table B.6: Forces $F_{2,3}$, 1 angle bracket / connection

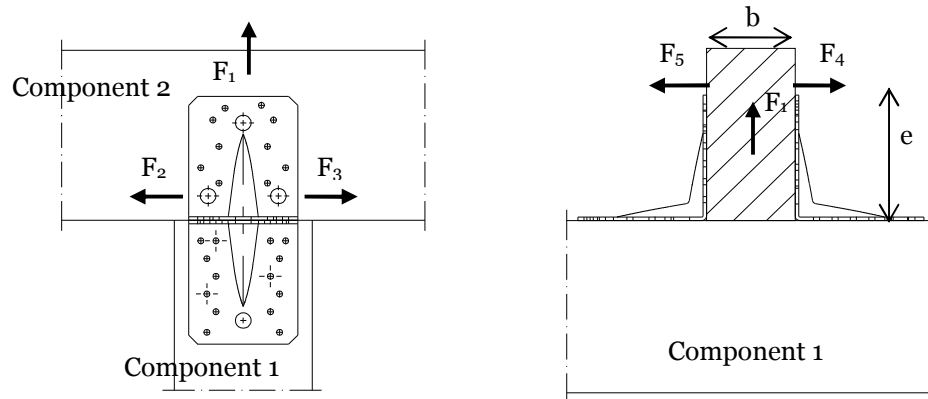
Bracket number	Bracket type	Nail number n_V	Nail number n_H	$F_{2,3,Rk}$ [kN]
				Timber
89 521	50x50x35	1,2	6,7,9,10	1,31
89 525	90x90x40	1,2,4,5,6,7	11,12,14,15,19,20	2,37
89 530	160x40x40	1,2,3,4,6,7,8,9,10,11	15,16,18,19	2,88
89 533	90x35x40	1,2,3,5,6	8,9,11,12	2,16
89 560	90x48x48	1,2,4,5,6,7	10,11,13,14	2,62
89 561	90x48x76	1,2,3,6,7,8,9,10,11,12	16,17,20,21	3,36
89 562	90x48x116	1,2,3,4,5,8,9,10,11,12,13,15,16,17,18	22,23,24,25,29,30,31	6,80
89 571	40x40x40	11,12	fully nailed	1,62
89 572	50x50x45	11,12	fully nailed	1,62
89 573	60x60x40	11,12,21,22	fully nailed	2,20
89 574	60x60x50	11,12,13,21,22	fully nailed	3,35
89 575	60x60x60	11,12,13,21,22,23	fully nailed	4,04
89 576	40x40x60	11,12,13	fully nailed	3,05
89 577	60x60x80	11,12,13,14,21,22,23,24	fully nailed	6,32
89 578	60x60x100	11,12,13,14,15,21,22,23,24,25	fully nailed	9,05
89 579	80x80x60	11,12,13,21,22,23,31,32,33	fully nailed	5,06
89 580	80x80x80	11,12,13,14,21,22,23,24,31,32,33,34	fully nailed	7,74
89 581	80x80x100	11,12,13,14,15,21,22,23,24,25,31,32,33,34,35	fully nailed	10,9
89 582	100x100x60	11,12,13,21,22,23,31,32,33,41,42,43	fully nailed	6,12
89 583	100x100x80	11,12,13,14,21,22,23,24,31,32,33,34,41,42,43,44	fully nailed	9,27
89 584	100x100x100	11,12,13,14,15,21,22,23,24,25,31,32,33,34,35,41,42,43,44,45	fully nailed	15,2
89 585	40x40x100	11,12,13,14,15	fully nailed	10,4
89 586	40x40x140	11,12,13,14,15,16,17	fully nailed	10,6
89 587	40x40x200	11,12,13,14,15,16,17,18,19,20	fully nailed	16,1
89 588	60x60x40	11,12,21,22	fully nailed	2,19
89 589	60x60x60	11,12,13,21,22,23	fully nailed	4,01
89 600	60x40x60	11,12,13,21,22,23	fully nailed	3,67
89 601	80x60x60	11,12,13,21,22,23,31,32,33	fully nailed	4,62
89 602	100x60x60	11,12,13,21,22,23,31,32,33,41,42,43	fully nailed	5,41

Table B.7: Basic Forces $F_{4,5}$, 2 angle brackets / connection

Bracket number	Bracket type	Nail number n_V	Nail number n_H	$F_{4,5,Rk}$ [kN]	
				Timber	Steel
89 521	50x50x35	1,2	6,7,9,10	7,40	2,12
89 525	90x90x40	1,2,4,5,6,7	11,12,14,15,19,20	6,00	3,76
89 530	160x40x40	1,2,3,4,6,7,8,9,10,11	15,16,18,19	6,31	3,14
89 532	120x35x40	1,2,3,4,5,6,7,8,9	bolt	4,96	3,76
89 533	90x35x40	1,2,3,5,6	8,9,11,12	3,76	3,41
89 560	90x48x48	1,2,4,5,6,7	10,11,13,14	4,33	5,31
89 561	90x48x76	1,2,3,6,7,8,9,10,11,12	16,17,20,21	7,26	8,49
89 562	90x48x116	1,2,3,4,5,8,9,10,11,12,13,15,16,17,18	22,23,24,25,29,30,31	11,39	13,07
89 571	40x40x40	11,12	fully nailed	6,52	1,89
89 572	50x50x45	11,12	fully nailed	6,52	1,89
89 573	60x60x40	11,12,21,22	fully nailed	5,12	2,17
89 574	60x60x50	11,12,13,21,22	fully nailed	6,87	3,12
89 575	60x60x60	11,12,13,21,22,23	fully nailed	7,69	3,26
89 576	40x40x60	11,12,13	fully nailed	8,93	3,72
89 577	60x60x80	11,12,13,14,21,22,23,24	fully nailed	9,86	5,43
89 578	60x60x100	11,12,13,14,15,21,22,23,24,25	fully nailed	12,33	6,79
89 579	80x80x60	11,12,13,21,22,23,31,32,33	fully nailed	8,09	4,31
89 580	80x80x80	11,12,13,14,21,22,23,24,31,32,33,34	fully nailed	10,78	5,75
89 581	80x80x100	11,12,13,14,15,21,22,23,24,25,31,32,33,34,35	fully nailed	13,48	7,19
89 582	100x100x60	11,12,13,21,22,23,31,32,33,41,42,43	fully nailed	8,70	4,31
89 583	100x100x80	11,12,13,14,21,22,23,24,31,32,33,34,41,42,43,44	fully nailed	11,60	5,74
89 584	100x100x100	11,12,13,14,15,21,22,23,24,25,31,32,33,34,35,41,42,43,44,45	fully nailed	14,53	7,55
89 585	40x40x100	11,12,13,14,15	fully nailed	16,29	4,73
89 586	40x40x140	11,12,13,14,15,16,17	fully nailed	22,80	6,62
89 587	40x40x200	11,12,13,14,15,16,17,18,19,20	fully nailed	32,57	9,45
89 588	60x60x40	11,12,21,22	fully nailed	4,93	2,71
89 589	60x60x60	11,12,13,21,22,23	fully nailed	7,40	4,07
89 600	60x40x60	11,12,13,21,22,23	fully nailed	6,92	4,68
89 601	80x60x60	11,12,13,21,22,23,31,32,33	fully nailed	7,79	4,38
89 602	100x60x60	11,12,13,21,22,23,31,32,33,41,42,43	fully nailed	7,84	4,51

Definitions of forces, their directions and eccentricity

Forces - Beam to beam connection



Fastener specification

Holes are marked with numbers referring to the nailing pattern in Annex A.

Double angle brackets per connection

The angle brackets must be placed at each side opposite to each other, symmetrically to the component axis.

Acting forces

- F_1 Lifting force acting along the central axis of the joint.
- F_2 and F_3 Lateral force acting in the joint between the component 2 and component 1 in the component 2 direction
- F_4 and F_5 Lateral force acting in the component 1 direction along the central axis of the joint. If the load is applied with an eccentricity e , a design for combined loading is required.

Single angle bracket per connection

Acting forces

- F_1 Lifting force acting in the central axis of the angle bracket. The component 2 shall be prevented from rotation. If the component 2 is prevented from rotation the load-carrying capacity will be half of a connection with double angle brackets.
- F_2 and F_3 Lateral force acting in the joint between the component 2 and the component 1 in the component 2 direction. The component 2 shall be prevented from rotation. If the component 2 is prevented from rotation the load-carrying capacity will be half of a connection with double angle brackets.
- F_4 and F_5 Lateral force acting in the component 1 direction in the height of the top edge of component 2. F_4 is the lateral force towards the angle bracket; F_5 is the lateral force away from the angle bracket. Only the characteristic load-carrying capacities for angle brackets with ribs are given.

Wane

Wane is not allowed, the timber has to be sharp-edged in the area of the angle brackets.

Timber splitting

For the lifting force F_1 it must be checked in accordance with Eurocode 5 or a similar national Timber Code that splitting will not occur.

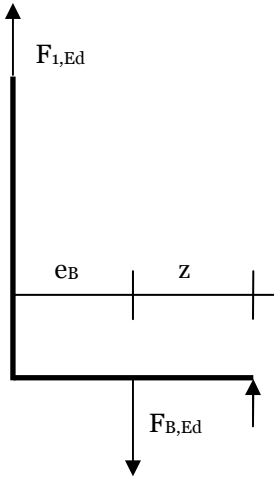
Connection to concrete or steel with a bolt or metal anchor

The tensile load $F_{B,Ed}$ for the design of a bolt or metal anchor is calculated as:

$$F_{B,Ed} = F_{1,d} \cdot \left(1 + \frac{e_B}{z} \right)$$

Where:

- e_B Eccentricity of the bolt with regard to the force F_1
 z Distance between the bolt and the end of the horizontal flap of the angle bracket



Combined forces

If the forces F_1 and F_2/F_3 or F_4/F_5 act at the same time, the following inequality shall be fulfilled:

$$\left(\frac{F_{1,d}}{F_{Rd,1}} \right)^2 + \left(\frac{F_{2,d}}{F_{Rd,2}} \right)^2 + \left(\frac{F_{3,d}}{F_{Rd,3}} \right)^2 + \left(\frac{F_{4,d}}{F_{Rd,4}} \right)^2 + \left(\frac{F_{5,d}}{F_{Rd,5}} \right)^2 \leq 1$$

The forces F_2 and F_3 or F_4 and F_5 are forces with opposite direction. Therefore only one force F_2 or F_3 , and F_4 or F_5 , respectively, is able to act simultaneously with F_1 , while the other shall be set to zero.

If the load F_4/F_5 is applied with an eccentricity e , a design for combined loading **for connections with double angle brackets** is required. Here, an additional force ΔF_1 has to be added to the existing force F_1 .

$$\Delta F_{1,d} = F_{4,d} / F_{5,d} \cdot \frac{e}{B}$$

B is the width of component 2.

Gutzeit Angle Brackets

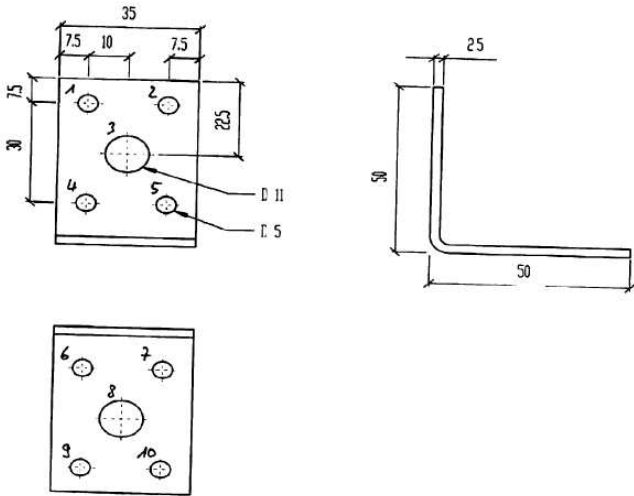


Figure B. 1 Dimensions of Angle Bracket 89 521

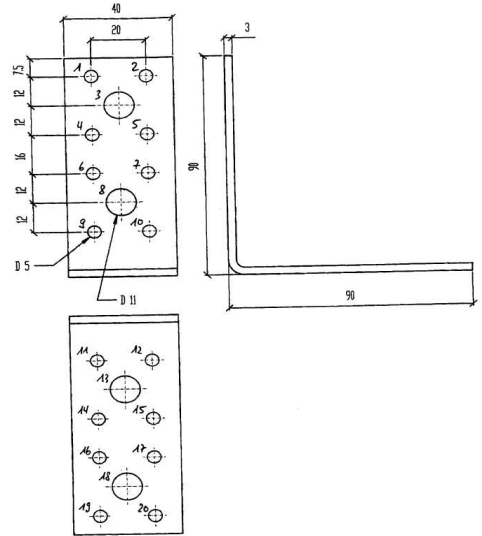


Figure B. 2 Dimensions of Angle Bracket 89 525

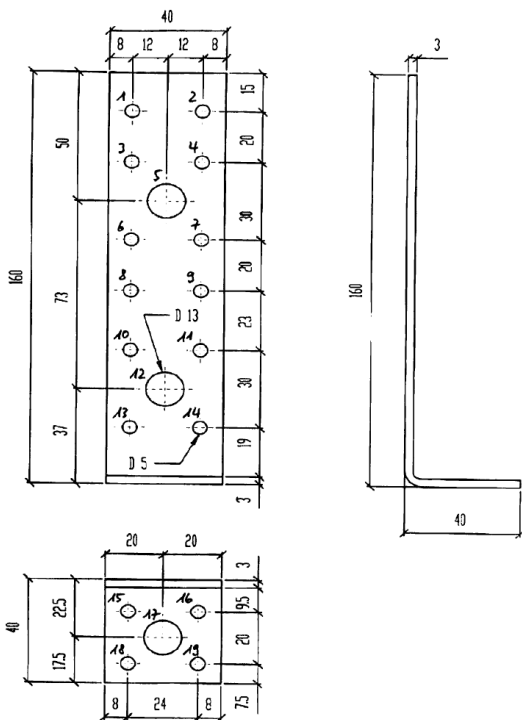


Figure B. 3 Dimensions of Angle Bracket 89 530

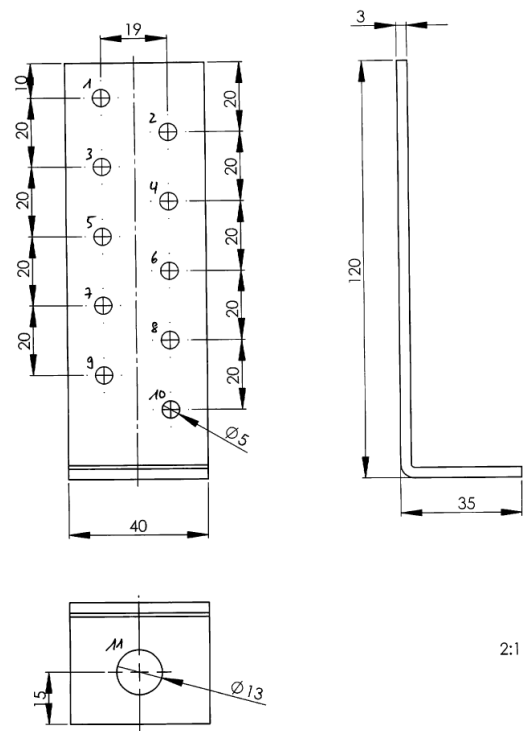


Figure B. 4 Dimensions of Angle Bracket 89 532

2:1

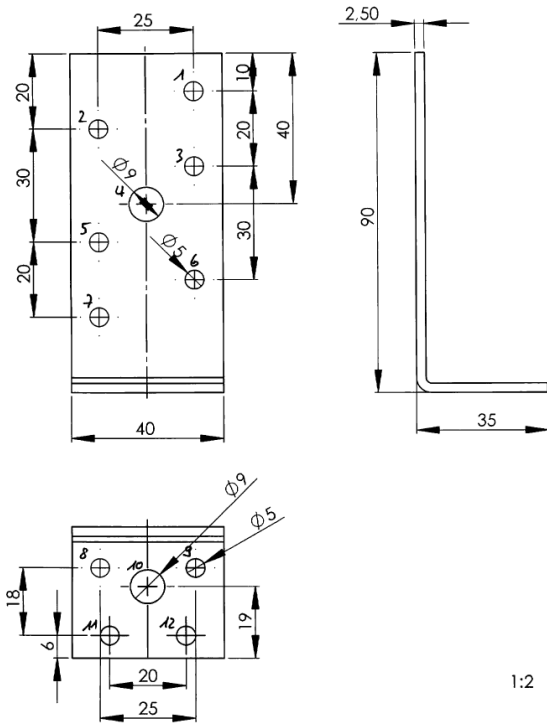


Figure B. 5 Dimensions of Angle Bracket 89 533

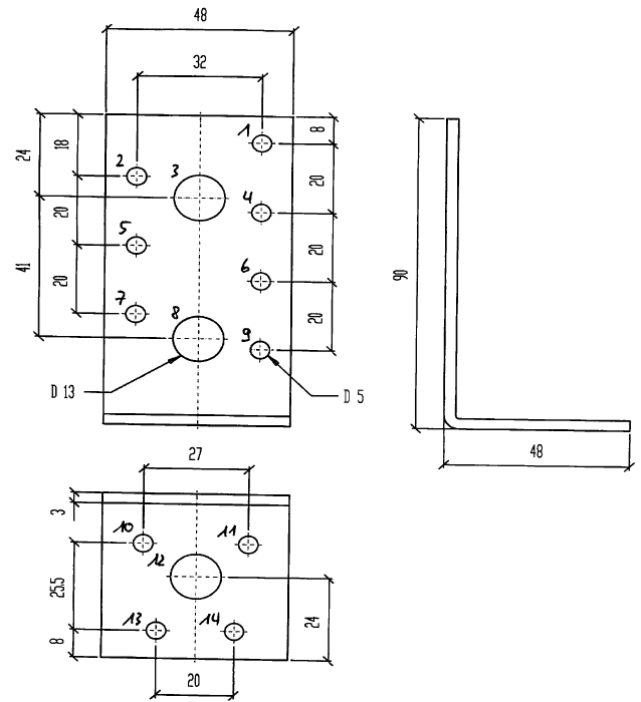


Figure B. 6 Dimensions of Angle Bracket 89 560

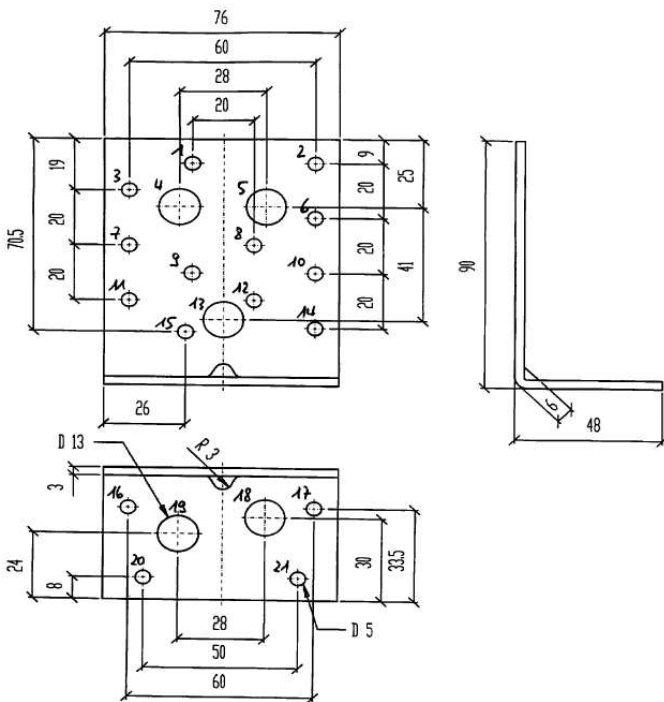


Figure B. 7 Dimensions of Angle Bracket 89 561

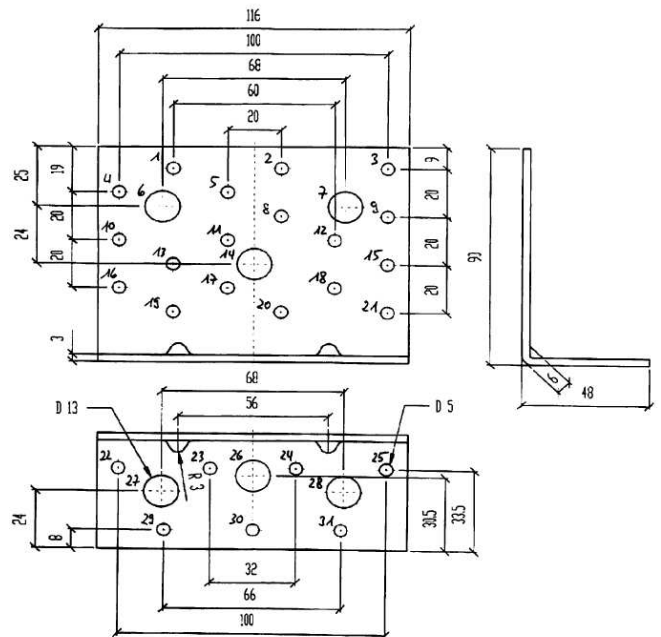
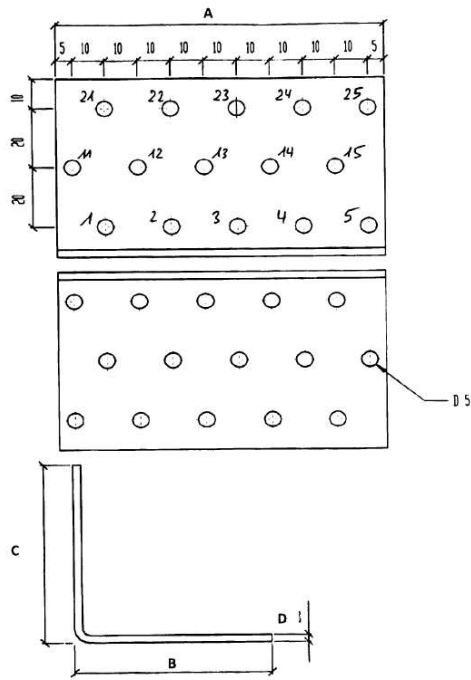
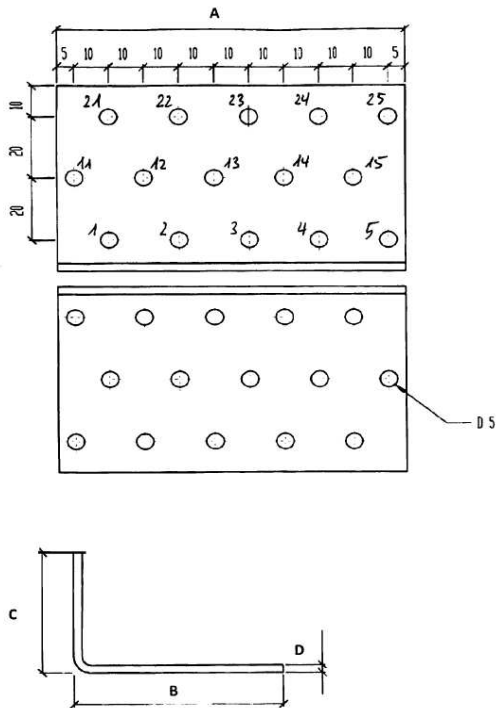


Figure B. 8 Dimensions of Angle Bracket 89 562



Number	B	C	A	D
89 571	40	40	40	2
89 572	50	50	40	2
89 573	60	60	40	2
89 574	60	60	50	2,5
89 575	60	60	60	2
89 576	40	40	60	2,5
89 577	60	60	80	2,5
89 578	60	60	100	2,5
89 579	80	80	60	2,5
89 580	80	80	80	2,5
89 581	80	80	100	2,5
89 582	100	100	60	2,5
89 583	100	100	80	2,5
89 584	100	100	100	2,5
89 585	40	40	100	2
89 586	40	40	140	2
89 587	40	40	200	2
89 588	60	60	40	2,5
89 589	60	60	60	2,5

Figure B. 9 Dimensions of Angle Bracket 89 571 - 89 589



Number	B	C	A	D
89 600	40	60	60	2,5
89 601	60	80	60	2,5
89 602	60	100	60	2,5

Figure B. 10 Dimensions of Angle Bracket 89 600 - 89 602

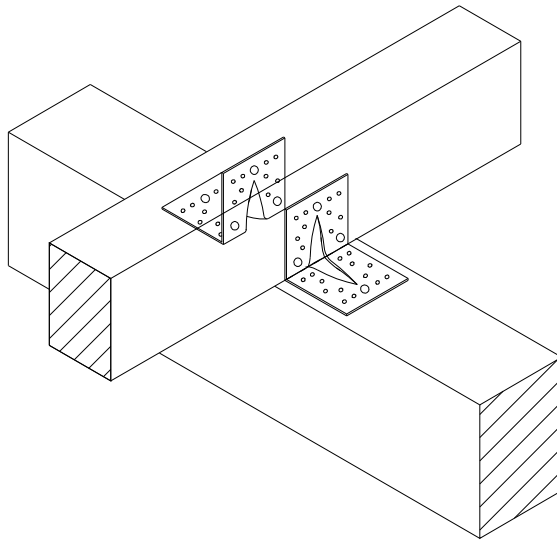


Figure B. 111 Typical installation